

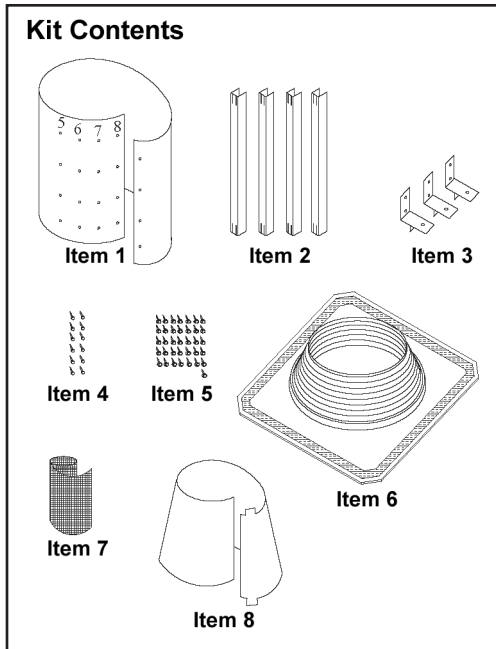
### PLEASE READ AND UNDERSTAND THE REQUIREMENTS BEFORE PROCEEDING

The rubber boot flashing kit is available as an option for passing Hart & Cooley chimney through corrugated roofs.

#### CAUTION - RISK OF FIRE

**Do not install rubber boot flashings in direct contact with any chimney, unless the chimney manufacturer's instructions permit such direct contact.**

The rubber boot flashing kit consists of a ventilated sleeve assembly that fits around a pipe section and a rubber boot that seals around the sleeve assembly. The sleeve assembly is first assembled, installed and supported around the chimney. The rubber boot is then installed in direct contact with the sleeve assembly and sealed to the roof.



The contents of the kit include:

- 1 sleeve panel (Item 1)
- 4 spacer channels (Item 2)
- 3 sleeve-mounting brackets (Item 3)
- 12 #8 x 1/2" sheet metal screws (Item 4)
- 36 #9 x 1 1/2" Truegrip GT-with-washer wood screws (Item 5) to secure the rubber boot to the roof
- 1 rubber boot flashing (Item 6)
- 1 roll of mesh screen (Item 7)
- 1 universal storm collar (Item 8)

#### Notes

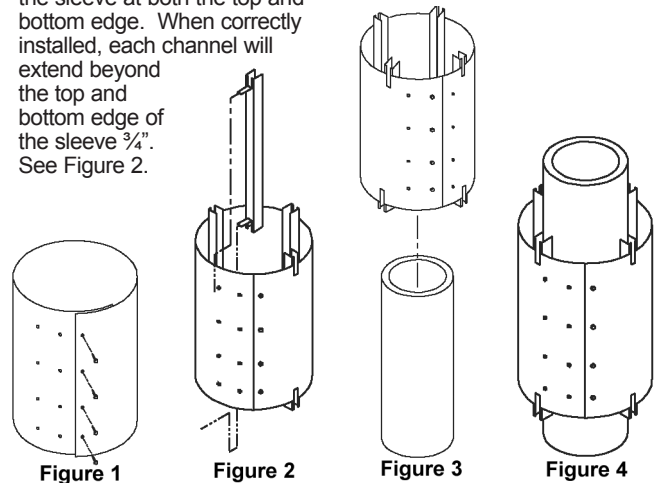
1. The maximum roof pitch allowed for the kit is dependent on the chimney's outside diameter (OD). See **Roof Pitch Table** on reverse side.
2. This assembly is not a support. The chimney must be supported with one of Hart & Cooley's supports other than the roof support. This assembly should not be used in conjunction with the TLC roof support.
3. The airspace directly below the roof line must be open and permit free air circulation. Sealed enclosures (at 2" minimum clearance) around the pipe are not permitted directly beneath the roof and rubber boot flashing.
4. There must be adequate support for the sleeve. If roof decking is already present beneath the corrugated roofing, it is permissible to attach the sleeve to it. If such is not the case, some type of framing will have to be constructed.

Three options are shown on the reverse side. The sleeve must be mounted so that there is a 1" clearance between the sleeve and the wood structure. This establishes the 2" clearance from the chimney to the wood.

5. The screws provided for securing the rubber boot to the roof are #9 x 1 1/2" Truegrip-with-washer wood screws, for use when the rubber boot will be attached through the corrugated roof and into wood beneath. If the flashing is to be secured only to a metal roof, 1/4-14 x 1-1/8" Scots/Teks (or equivalent) sheet metal screws should be acquired and used.

#### Installing the Rubber Boot Flashing Kit

1. The sleeve panel (Item 1) "master" end has a column of master holes on one edge, while the other edge has multiple columns of holes, designating specific inner diameters of chimney. Form the sleeve panel into a cylinder by aligning the master holes with the holes marked for the diameter of chimney being installed. See Figure 1.
2. When properly formed, the "master" end of the panel will overlap the marked holes, and the sleeve will be 2" greater in diameter than the OD of the pipe. Secure in place with 4 sheet metal screws (Item 4). See Figure 1.
3. Install the 4 spacer channels (Item 2) evenly spaced around the inside of the sleeve. Using pliers, bend the channel tabs to grip the sleeve at both the top and bottom edge. When correctly installed, each channel will extend beyond the top and bottom edge of the sleeve 3/4". See Figure 2.



4. After trimming the rubber boot flashing to the proper diameter to fit the sleeve, trial fit the sleeve by sliding it over the chimney and centering it within the prepared roof opening.\* See Figure 6. Maintain a minimum of 1" airspace clearance between the sleeve and any combustible frame members. This will provide the required 2" of airspace clearance to the chimney. See Figures 3, 4, 5 and

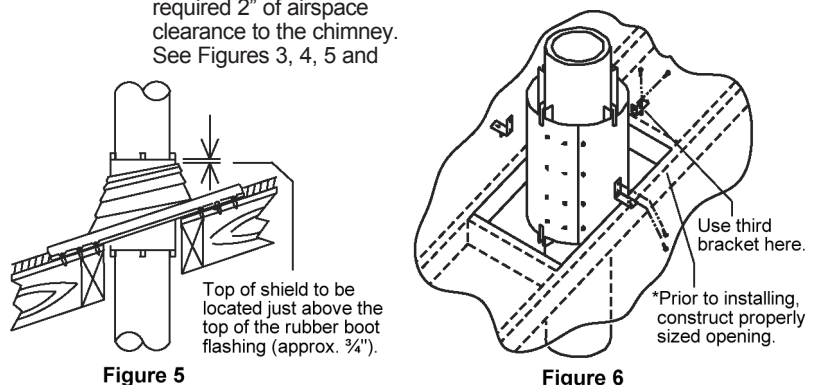


Figure 5

Figure 6

# Rubber Boot Flashing Kit Installation Instructions

- Use the rubber boot flashing as a guide to position the top of the sleeve. Locate the top of the sleeve slightly above (approximately  $\frac{3}{4}$ " ) the top of the rubber boot flashing. See Figure 5.
- After properly positioning the sleeve, remove the rubber boot flashing and attach the sleeve to the framing using the sleeve-mounting brackets (Item 3) oriented as shown in Figure 6. Attach each bracket to the roof using a nail (not provided) and to the sleeve, using two sheet metal screws per bracket. A pilot hole will aid assembly. Orient the sleeve so that the sheet metal screws penetrate both the sleeve and a spacer channel. See Figure 6.
- Install the rubber boot flashing down over the sleeve and secure to the roof, using #9 x  $1\frac{1}{2}$ " Truegrip wood screws (Item 5). See Figure 7 and Note 3.

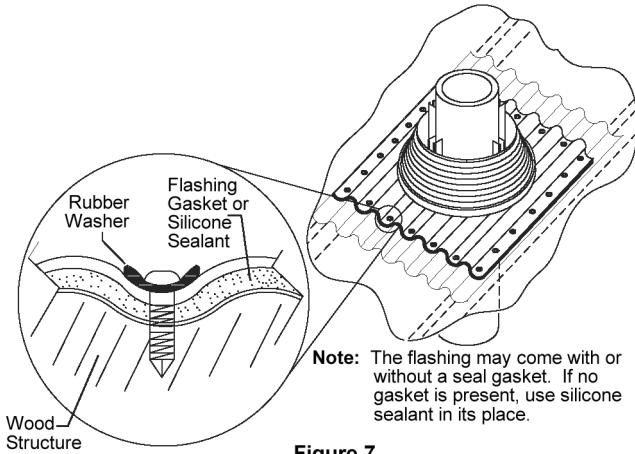


Figure 7

- Place the mesh around the top of the shield by first lifting the spacer tab so it extends outward. Carefully impale the mesh onto the spacer tabs as shown in Figure 8. Trim any excess as appropriate. Once installed, reflaten the spacer tabs to the side of the shield. This will hold the mesh in place.

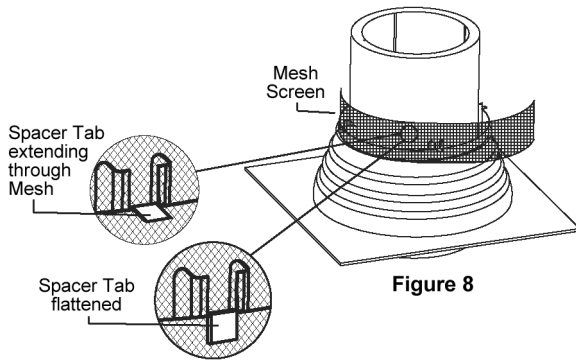


Figure 8

- Install the universal storm collar by wrapping it around the pipe (extending above the flashing) until the desired fit is achieved. Fold the tabs over the excess overlap to make adjustment easier. Trim any excess as appropriate. When the storm collar has been adjusted to its final configuration, secure with two #8  $\frac{1}{2}$ " sheet metal screws. Orient the storm collar so the seam is towards the low side of the roof slope. It is permissible to carefully trim the bottom edge of the storm collar to achieve a snugger fit around the rubber boot flashing. See Figures 9 and 10.

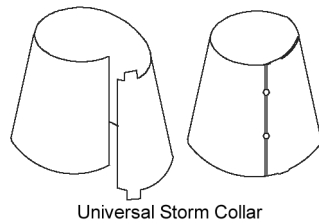


Figure 9

- Seal the area between the pipe and the storm collar, using a silicone sealant. See Figure 10.

**Note:** On steeper pitched roofs, a portion of the bottom edge of the storm collar (along the up-slope side) will need to be trimmed to permit the collar to slide down upon the rubber boot/shield assembly. See Figure 10.

Roof Pitch Table	
O.D.	Maximum Pitch
7" thru 9"	12/12
10"	10/12

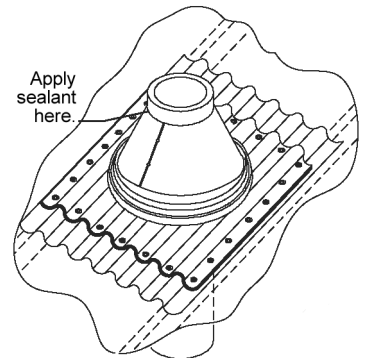
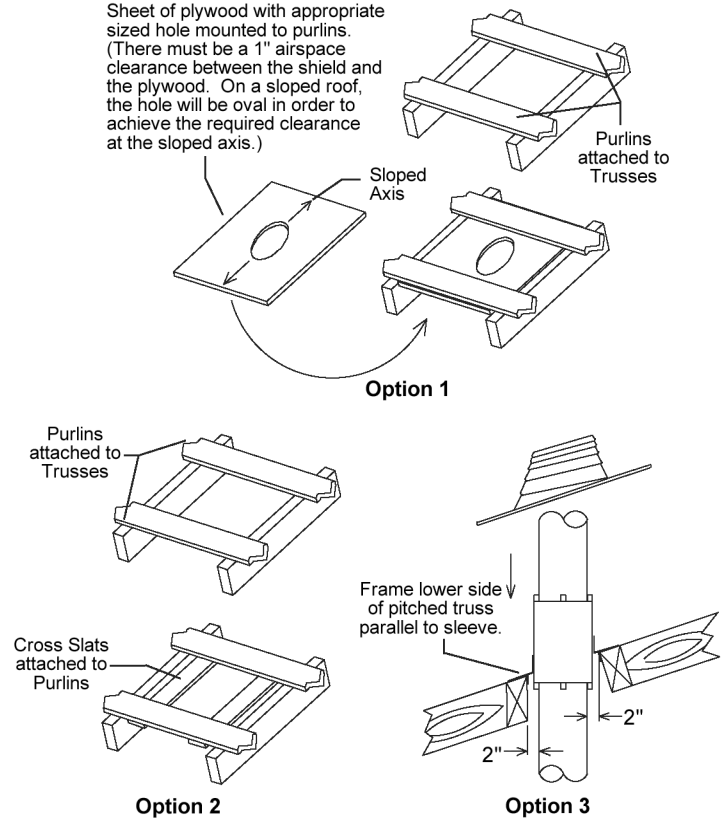


Figure 10

### Options for Mounting of Sleeve

Sheet of plywood with appropriate sized hole mounted to purlins. (There must be a 1" airspace clearance between the shield and the plywood. On a sloped roof, the hole will be oval in order to achieve the required clearance at the sloped axis.)



**HART**  
COOLEY

hartandcooley.com  
(800) 433-6341