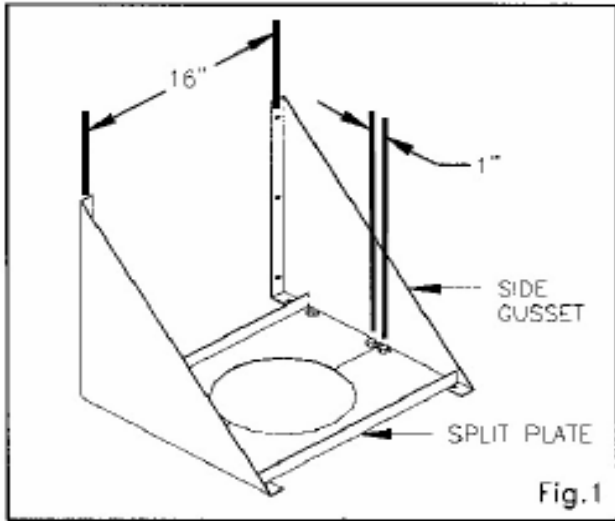


Installation Instructions

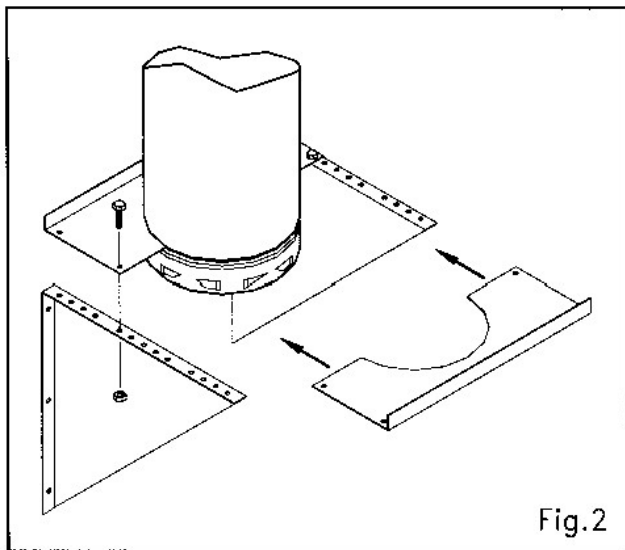
Ameri-Tec Wall Support Assembly

6HS-WS and 8HS-WS

The Ameri-Tec Wall Support Assembly is designed to support 30 foot of chimney. The Side Gussets may be installed either above (Fig. 1) or below (Fig. 2 and 3) the Split Plate. The three hole Side Gusset flanges are designed for attachment to standard spaced 16 inch on center wall studs.

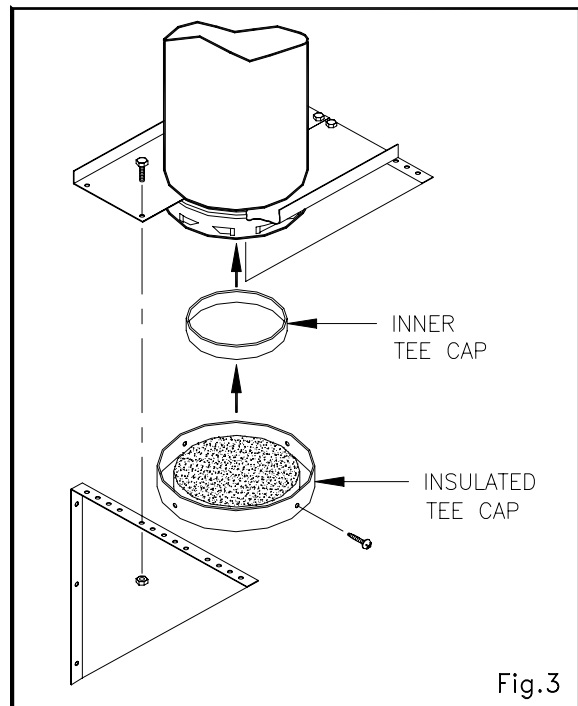


Except for the assembly of this support, the chimney must be installed in strict accordance with Model HS Installation and Maintenance Instructions.



There are two recessed beads near the bottom of the Tee. Install both halves of the Split Plate around the upper recessed bead. The upper recess (1-3/4" from the bottom) is preferred because it provides slightly more working clearance for installing and servicing the Tee Caps (Fig. 2 and 3).

Each half of the Split Plate must be bolted to both Side Gussets with the parting line running perpendicular to the gussets (Fig. 1 through 3). Use all eight (8) screws and nuts to fasten the Split Plate on top of the thirteen (13) hole Side Gusset flange. The thirteen holes allow for mounting the 6-inch Tee at either 2, 3, 4, or 5 inch clearance and the 8 inch Tee at 2, 3, or 4 inch clearance. The screws next to the parting line must be in adjoining holes (spaced one inch apart) on the Side Gusset flange (Fig. 1).



Position the Inner Tee Cap over the inner wall and the insulated Tee Cap over the outer wall of the tee. Locate the pre-punched holes on the insulated tee cap and drill at least three holes through both the insulated tee cap and tee outer wall. Install sheet metal screws (Fig. 3).



500 East Eighth Street Holland, MI 49423 • (800) 423-4270 • Fax (800) 626-3825
 Technical Services (800) 669-3190