

SUBMITTAL DRAWING

DATE: 7/23/03

SUBMITTED BY: _____

JOB NAME: _____

LOCATION: _____

ARCHITECT: _____

ENGINEER: _____

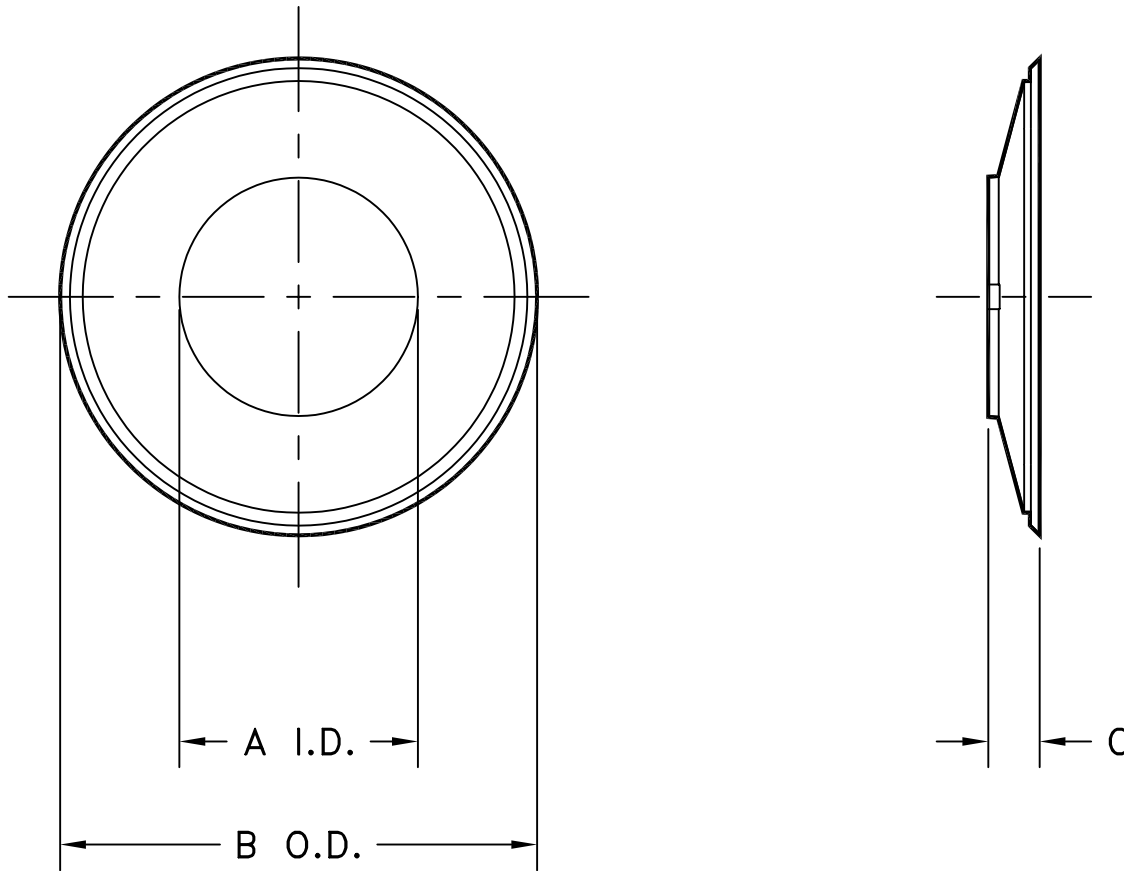
CONTRACTOR: _____

Type B Gas Vent

Storm Collar - ESC

3" - 8" Diameter

DRAWING #: B1-24



CAT. NO.	A I.D.	B O.D.	C
3ESC	3-1/2	6-5/8	1-7/16
4ESC	4-1/2	7-5/8	1-1/2
5ESC	5-1/2	8-5/8	1-5/8
6ESC	6-1/2	9-5/8	1-1/2

• MATERIAL:
- .018 THICK, G-90 GALVANIZED STEEL