

**SUBMITTAL DRAWING**

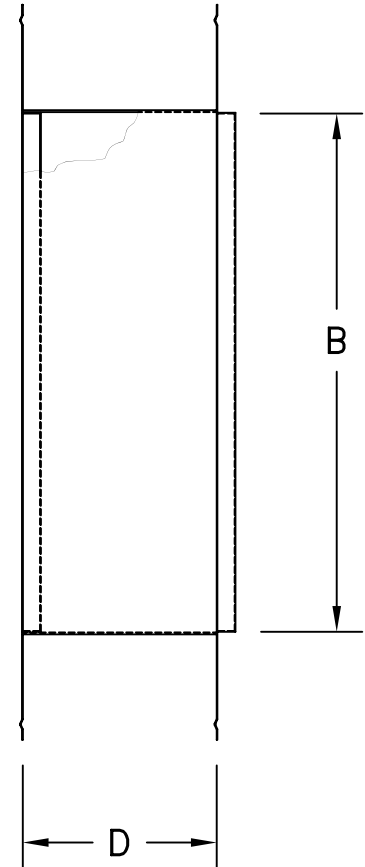
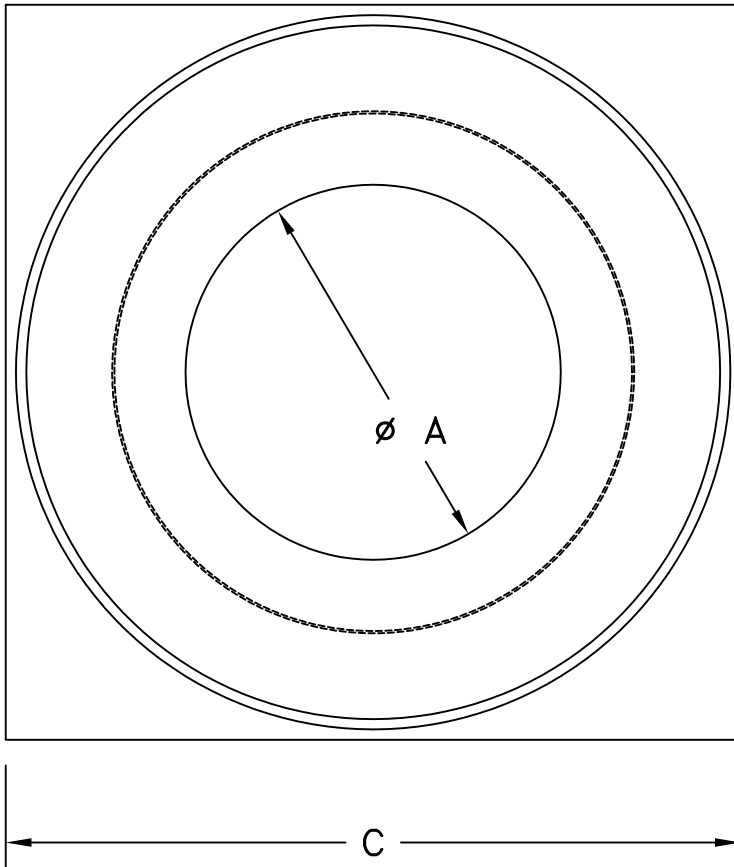
JOB NAME: \_\_\_\_\_  
 LOCATION: \_\_\_\_\_  
 ARCHITECT: \_\_\_\_\_  
 ENGINEER: \_\_\_\_\_  
 CONTRACTOR: \_\_\_\_\_

**ALL-FUEL CHIMNEY  
 WALL THIMBLE**

DATE: 05/04/05

SUBMITTED BY: \_\_\_\_\_

DRAWING #: D1-23



PART NO.	SIZE	DIA A	DIA B	C	D
6HS-WTP	6"	9"	13"	18"	ADJUSTABLE FROM 4-1/2" TO 8"
8HS-WTP	8"	11"	15"	18"	



• MATERIAL: .018 GALVANIZED