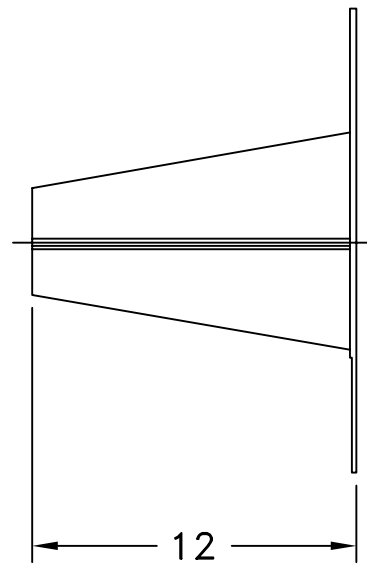
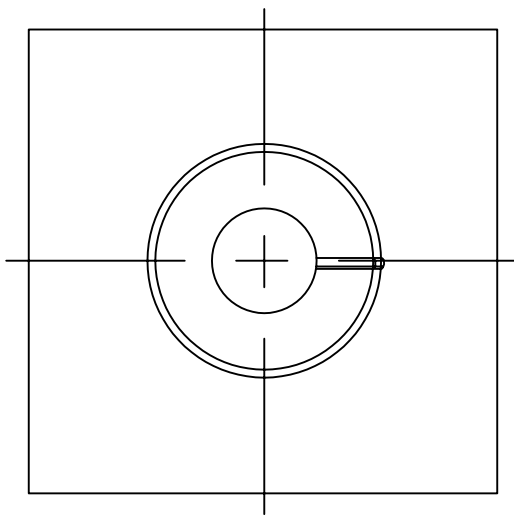


<b>SUBMITTAL DRAWING</b>	JOB NAME: _____	<b>PELLET VENT TALL CONE FLASHING</b>
DATE: 05/05/05	LOCATION: _____	<b>DRAWING #: E-18</b>
SUBMITTED BY: _____	ARCHITECT: _____	
	ENGINEER: _____	
	CONTRACTOR: _____	



PART NO.	SIZE
3EFT	3"
4EFT	4"

• MATERIAL  
MIN., .018 THICK, GALVANIZED STEEL

